

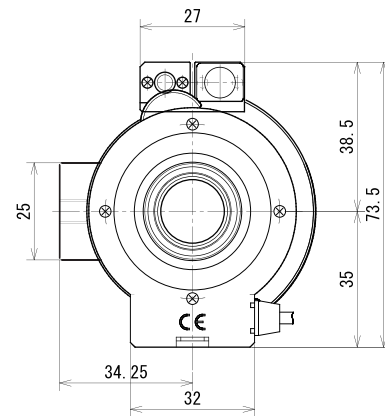
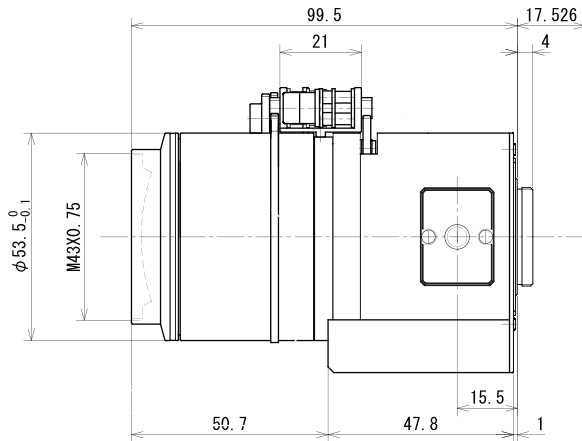
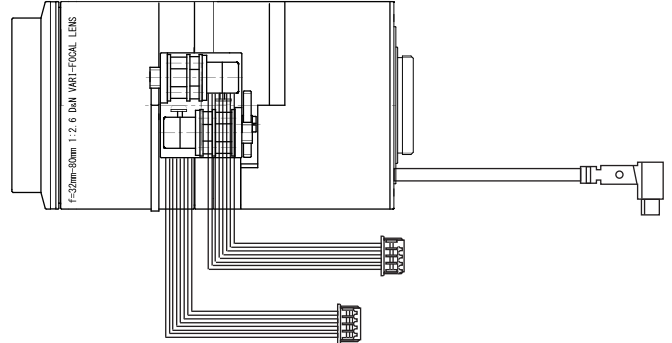
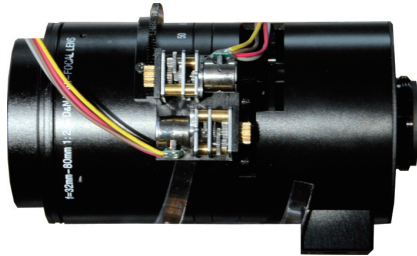
# PRECISION MACHINE VISION LENS



## VT2Z3280MFZ PT

1.1inch 32-80mm

Motor drive Focus & Zoom 12MP IR-Corrected



Unit: mm

Image Format	1.1-inch (D18.0)
Focal Length	32-80 mm
Relative Aperture	F=1:2.6 (wide to telephoto)
Iris Range	2.6 to 16
Angular Field of View	f32 mm    30.9° x 22.6° f80 mm    9.28° x 6.86°
Resolution	12MP (3.45micron)
IR-Correction	Supported
M.O.D.(Minimum Object Distance)	7m
Back Focal Length	16.418 mm
Flange Back	17,526 mm
Operation	Focus        Motor drive Zoom        Motor drive Iris         P-Iris
Lens Mount	C-mount
Filter Screw	M43 P=0.75
Dimensions	72.75 x 73.5 x 99.5 mm
Weight	350 g
Operating Temperature	-10 to +50 °C