

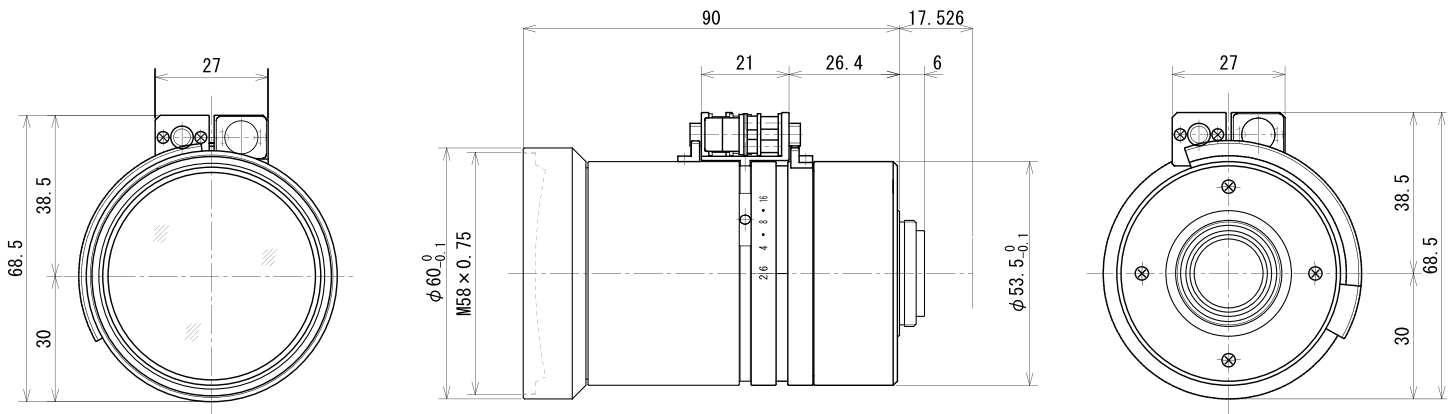
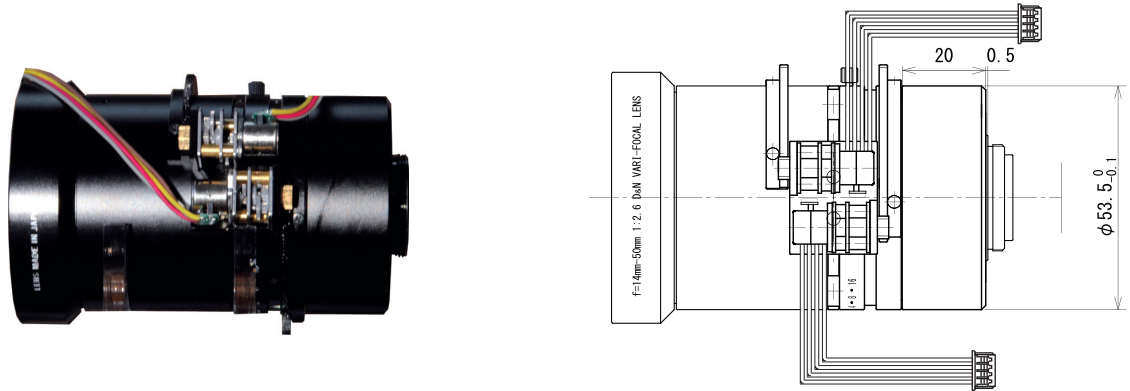
PRECISION MACHINE VISION LENS



VT4Z1450MFZM

1inch 14-50mm

Motor drive Focus & Zoom 6 to 8MP IR-Corrected



Unit: mm

Image Format	1-inch
Focal Length	14-50 mm
Relative Aperture	F=1:2.6
Iris Range	2.6 to 16
Angular Field of View	f14 mm 50.5° x 38.0° f50 mm 14.5° x 11.1°
Resolution	6 to 8MP
IR-Correction	Supported
M.O.D.(Minimum Object Distance)	1.2 m
Back Focal Length	13.995 mm
Flange Back	17.526 mm
Operation	Focus Motor drive Zoom Motor drive Iris Manual
Lens Mount	C-mount
Filter Screw	M58 P=0.75
Dimensions	76.0 x 60.0 x 90.0 mm
Weight	430 g
Operating Temperature	-10 to +50 °C