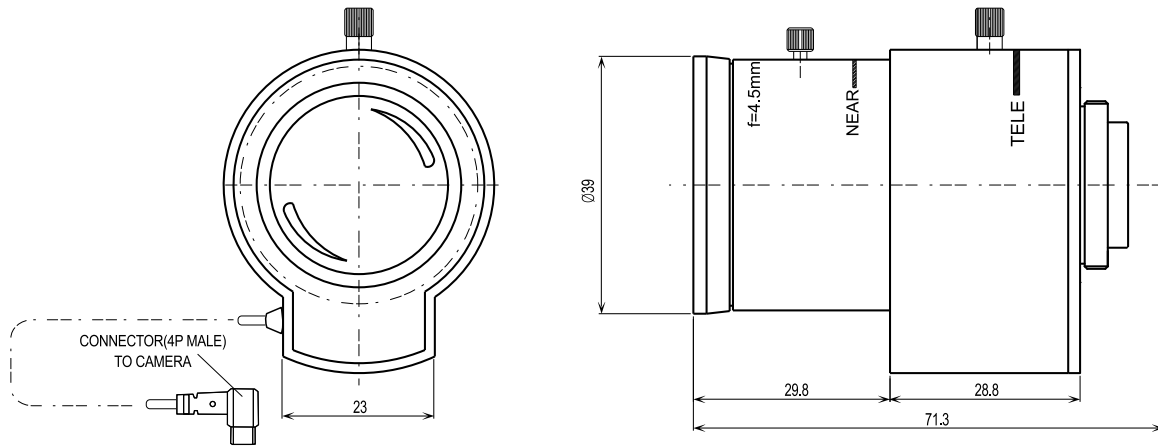


# VIDEO CAMERA LENS

**PRECISION**

## VT3Z413M3DC

5.0 Mega-pixel resolution, IR-corrected Day/Night  
Wide Vari-focal, DC Auto Iris



(Unit : mm)

<b>Image Format</b>	1/2-inch (image circle : $\phi 8.8\text{mm}$ )
<b>Focal Length</b>	4.5-13.0mm
<b>Maximum Aperture</b>	F1.8
<b>Iris Operation</b>	Auto Iris by DC control
<b>Iris Range</b>	F1.8-Close
<b>View Angle</b>	Horizontal: Wide $90^{\circ} 3$ / Tele $31^{\circ} 2$ Vertical: Wide $66^{\circ} 6$ / Tele $24^{\circ} 0$ Diagonal: Wide $114^{\circ} 3$ / Tele $39^{\circ} 9$
<b>Lens Mount</b>	CS-mount
<b>MOD(Minimum Object Distance)</b>	0.5m (at wide)
<b>Back Focal Length</b>	6.67mm
<b>Filter Screw Size</b>	Not provided
<b>Dimensions</b>	$\phi 39.0\text{mm} \times 58.6\text{mm}$
<b>Weight</b>	137g approx.
<b>Note</b>	