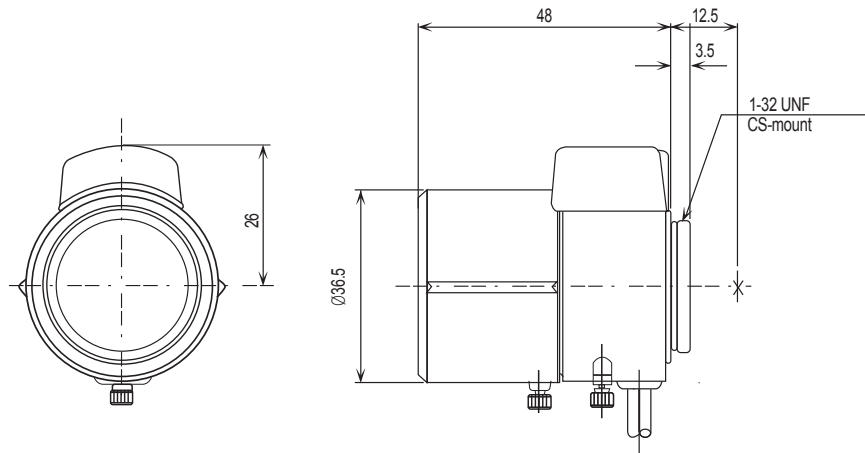


VIDEO CAMERA LENS

PRECISION

VT2Z410CSD

Mega-pixel resolution, 4-10mm F1.8
Vari-focal Lens, DC Auto Iris



(Unit : mm)

Image Format	1/2-inch
Focal Length	4-10mm
Maximum Aperture	F1.8
Iris Operation	Auto
Iris Range	F1.8-360
View Angle	Horizontal : wide 94° 8 / Tele 37° 3 Vertical : wide 69° 0 / Tele 28° 0 Diagonal : wide 122° 3 / Tele 46° 5
Lens Mount	CS-mount
MOD(Minimum Object Distance)	0.3m (at wide)
Back Focal Length	8.27mm-13.90mm
Filter Screw Size	Not provided.
Dimensions	φ36.5mm x 48.0mm
Weight	94g approx.
Note	