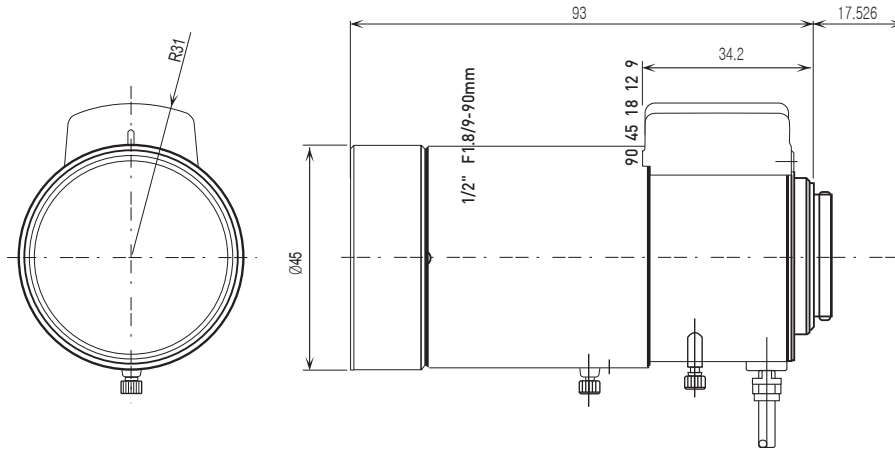


# VIDEO CAMERA LENS

PRECISION

## VT10Z990MPD

1.3 Mega-pixel, IR-corrected Day/Night  
Vari-focal Lens, DC Auto Iris



(Unit : mm)

Image Format	1/2-inch
Focal Length	9-90mm
Maximum Aperture	F1.8 (F1.8-F360)
Iris Operation	Auto
Iris Range	F1.8-Close
View Angle	Horizontal : wide 41.10° / Tele 4.20° Vertical : wide 30.30° / Tele 3.10° Diagonal : wide 52.60° / Tele 5.20°
Lens Mount	C-mount
MOD(Minimum Object Distance)	0.3m (at wide)
Back Focal Length	11.71mm-15.37mm
Filter Screw Size	M43 x 0.75
Dimensions	φ45mm x 93mm (Dia. x Length)
Weight	188g approx.
Note	