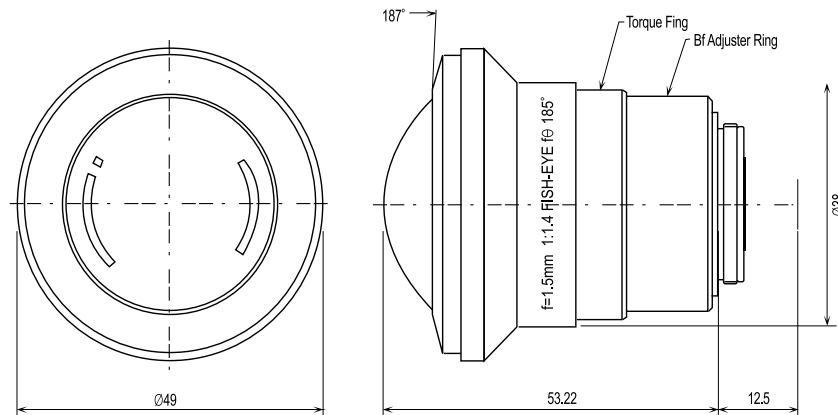


VIDEO CAMERA LENS

PRECISION

HX1.5FE21

FISH-EYE LENS, IR-Corrected for Day & Night operation
For Multi MEGA-PIXEL CAMERA



(Unit : mm)

Image Format	1/2-inch
Focal Length	1.5mm
Relative Aperture	F1.4
Iris Range	1.4 Fixed
Angular Field of View	Fish-eye, 187 degrees, f-theta optical design
Resolution	160 IP / mm
Minimum Object Distance(MOD)	0.1m
Image circle	4.6mm
Flange Back	12.5mm
Operation	Iris : Fixed Focus : Fixed Flange back : Adjustable
Lens Mount	CS-Mount Type
Filter Screw	No provision.
Dimensions	φ39.0mm x 53.3mm
Weight	100g approx.
Operating Temperature	-5 ~ +50 °C