

Zoom adapter with FULL HD resolution for microsurgical imaging



Leica Type



Zeiss type

Precision zoom adapter has been designed for use with surgical microscopes of world leading manufacturers. It's state of the art designing technology has successfully achieved the rugged and compact size of dycast body. Zoom range from 43mm to 86mm to cover mostly the field of view fit on 1/3" and 1/2" cameras. Unique performance includes manually adjustable zoom, iris and focus rings. Provision is made also for image centering mechanism to allow microscope sight to set in X and Y axes. Zoom adapter is supplied with exclusive type of mount to fit with surgical microscope.

Model designation:

Zeiss types

VA2Z43Z

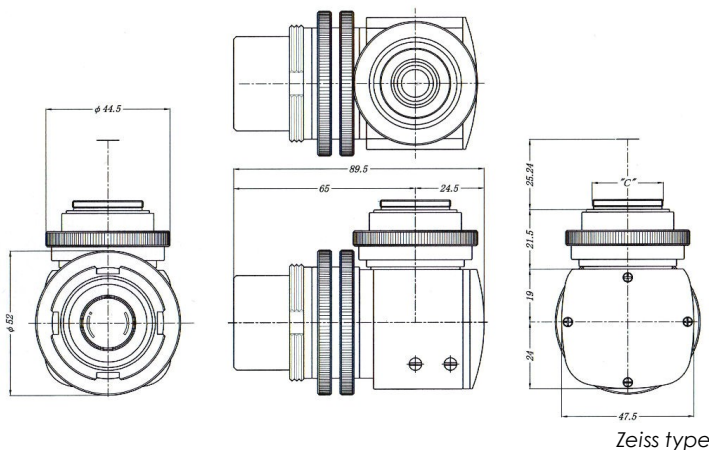
Leica types

VA2Z43L

* For use with other type of microscope or slit lamp, contact us to check availability.

Specifications

Microscope	Zeiss or Leica
Focal length	43mm to 86mm
Aperture (F-stop)	F3.9
Image format	1/2" and 1/3" of 3-chip color camera
Camera mount	C-Mount
Dimensions (WxHxL)	52 x 66.5 x 89.5mm (2.05 x 2.62 x 3.52" approx.), Zeiss type
Weight	330g (0.73 lbs approx.)



TUSS VISION, INC.

2-15-13 Miyamachi, Fuchu
Tokyo 183-0023, Japan

Tel: +81-42-335-7724, Fax: +81-42-335-7734

URL: <http://www.tussvision.com>

Feb 2011